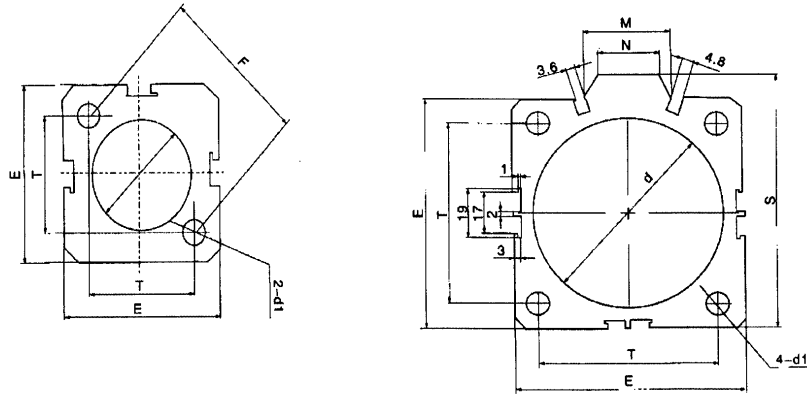


F/A

安装尺寸图
Installation Size Chart

SDA



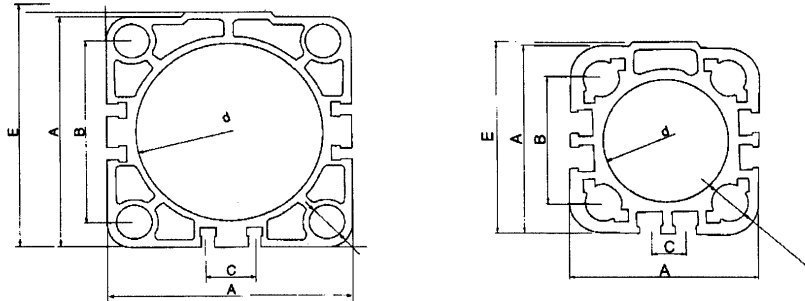
主要技术参数
The Main Technical Parameters

NO	d	d1	S	E	T	F	N	M
1	φ12	4	-	25	16.2	23	-	-
2	φ16	4.2	-	29	19.8	28	-	-
3	φ20	4.3	36	34	24	-	10	11.3
4	φ25	5.2	42	40	28	-	10	12
5	φ32	5.2	50	44	34	-	15	18.3
6	φ40	6.8	58.5	52	40	-	16	21.3
7	φ50	6.8	71.5	62	48	-	20	30
8	φ63	6.8	84.5	75	60	-	20	28.7
9	φ80	9.7	104	94	74	-	26	36
10	φ100	11.5	124	114	90	-	26	35

0/9

ADVU超薄型系列
ADVU Series

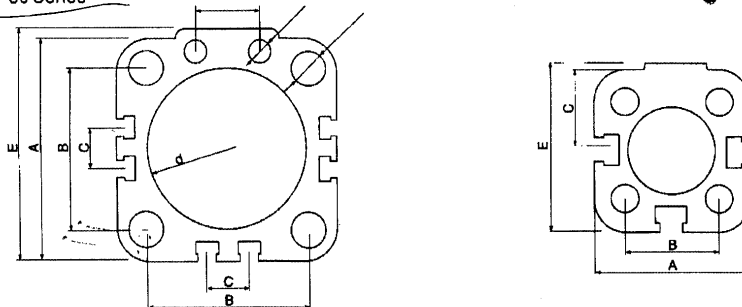
ADVU



NO	d	4-φd1	A	B	C	E
1	φ16	4-5	29	18	-	30
2	φ20	4-7	35	22	-	36
3	φ25	4-7	39	26	-	40
4	φ32	4-9	48	32	9	49
5	φ40	4-9	57	42	14	59
6	φ50	4-11	67	50	20	69
7	φ63	4-15	84	62	20	86
8	φ80	4-15	104	82	20	106
9	φ100	4-15	125	103	125	128

ADVU φ16-80系列
ADVU φ16-80 Series

BDVU

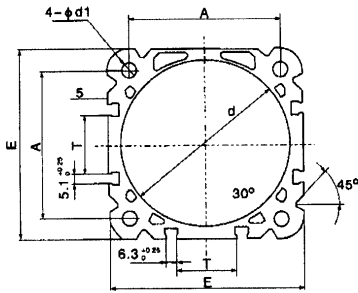


NO	d	4-d1	2-d2	A	B	C	E	F
1	φ16	5.3	-	29	18	14	30	-
2	φ20	6.5	-	36	22	-	37.5	-
3	φ25	6.2	-	40	26	20	41.5	-
4	φ32	8.5	6	50	32	10	52	11
5	φ40	8.5	6	60	42	14	63.5	15
6	φ50	10.5	7	68	50	14	71	20
7	φ63	14.5	10	87	62	14	91	21
8	φ80	14.5	10	107	82	14	111	22

9/a

欧洲标准DNC 6430型系列
 European Standard DNC 6430 Series

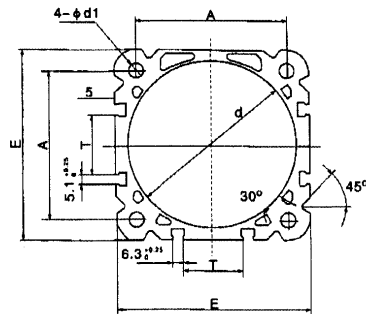
DNC



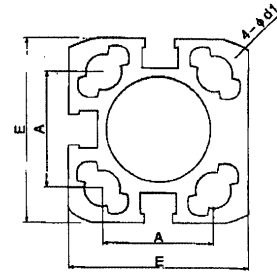
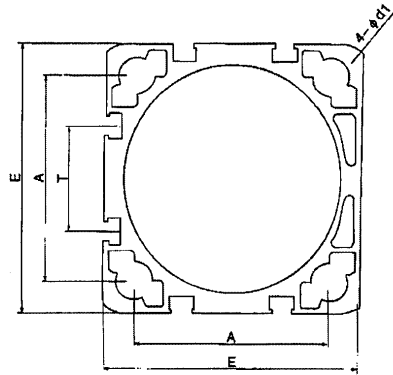
NO	d	E	A	T	4 φd1
1	φ32	43.5 x 43.5	33 x 33	8.4	φ5.5
2	φ40	50 x 50	37 x 37	10.9	φ5.5
3	φ50	61 x 61	47 x 47	17	φ5.5
4	φ63	74 x 74	56 x 56	25.5	φ7.4
5	φ80	93 x 93	70 x 70	27.9	φ9.3
6	φ100	111 x 111	84 x 84	35	φ9.3

欧洲标准DNC 6431型系列
 European Standard DNC 6431 Series

BNC



NO	d	E	A	T	4 φd1
1	φ32	44 x 44	32.5 x 32.5	8.2	φ5.1
2	φ40	51 x 51	38 x 38	11	φ5.1
3	φ50	64 x 64	46.5 x 46.5	17	φ6.7
4	φ63	75 x 75	56.5 x 56.5	26	φ6.7
5	φ80	93 x 93	72 x 72	28	φ8.7
6	φ100	111 x 111	89 x 89	35	φ8.7
7	φ125	134 x 134	110 x 110	55	φ10.3



NO	D	E	A	T	4 ϕ d1
1	ϕ 12	27	16	-	4.5
2	ϕ 16	29	18	-	4.5
3	ϕ 20	35.7	22	-	6.7
4	ϕ 25	39.5	26	7	6.7
5	ϕ 32	46	32.5	9.7	8.6
6	ϕ 40	54	38	15.3	8.6
7	ϕ 50	75	46.5	25	8.6
8	ϕ 63	75	56.5	29	10.5
9	ϕ 80	95	72	35	10.5
10	ϕ 100	113	89	38	10.5

1/9

WENZHOU WINCO IMP & EXP CO., LTD

ADD: NO.138, NingKangXi Road, Yueqing, Zhejiang, China (325600)
 TEL: 0086-577-61899166 FAX: 0577-61209800 MAIL: picassoliu@hotmail.com

COMMERICAL INVOICE

BUYER:	INVOICE NO: C141N036
SHERKAT TOLID LAVAZEM MADAR PNEUMATIC AND HYDROULIC BADRAN	P/O NO.:
NO.105, FORSATE SHIRAZI ST, NORTH ESKANDARI ST, TEHRAN 1419794761	L / C NO:
Tel: +98 21 66 92 21 70 Fax:+98 21 66 92 90 04	INVOICE DATE: 2023-3-15
PAYMENT TERMS:	DELIVERY TIME: 30 working days
100% prepaid before production	TRADE TERM: FOB Ningbo
BUYER COMMERCIAL CARD NUMBER: 10101026287	

DESCRIPTIONS		QUANTITY	UNIT PRICE	AMOUNT
Aluminium Tube For Pneumatic Cylinders				
SDA tube with anodizing				
Ø12	18.9 meters hollow	38 KGS	37.8 M	€ 5.04 /KG € 191.52
Ø16	18.9 meters hollow	56 KGS	37.8 M	€ 4.56 /KG € 255.36
Ø20	18.9 meters	73 KGS	37.8 M	€ 4.49 /KG € 327.77
Ø25	25.2 meters	117 KGS	50.4 M	€ 4.56 /KG € 533.52
Ø32	75.6 meters	301 KGS	113.4 M	€ 4.48 /KG € 1,348.48
Ø63	75.6 meters	968 KGS	151.2 M	€ 4.47 /KG € 4,326.96
Ø80	25.2 meters	733 KGS	75.6 M	€ 4.42 /KG € 3,239.86
Ø100	16.8 meters	450 KGS	33.6 M	€ 4.38 /KG € 1,971.00
DNC tube				
Ø32	80 meters	174 KGS	79.2 M	€ 4.86 /KG € 845.64
Ø40	80 meters	214 KGS	79.2 M	€ 4.68 /KG € 1,001.52
Ø50	50 meters	228 KGS	50.6 M	€ 4.44 /KG € 1,012.32
ADVU tube				
Ø16	30 meters	35 KGS	29.4 M	€ 4.60 /KG € 161.00
Ø20	30 meters	59 KGS	29.4 M	€ 4.61 /KG € 271.99
Ø100	20 meters new	180 KGS	21 M	€ 5.26 /KG € 946.80
ADN tubes				
12	4mtrs	4 KGS	4.4 M	€3.275 /KG €13.10
16	4mtrs	4 KGS	4.4 M	€ 7.06 /KG € 28.24
20	4mtrs	6 KGS	4.4 M	€ 7.06 /KG € 42.36
25	4mtrs	21 KGS	13.2 M	€ 6.56 /KG € 137.76
32	6mtrs	36 KGS	17.6 M	€ 6.44 /KG € 231.84
40	6mtrs	48 KGS	17.6 M	€ 6.50 /KG € 312.00
50	6mtrs	63 KGS	17.6 M	€ 6.65 /KG € 418.95
63	6mtrs	55 KGS	13.2 M	€ 6.85 /KG € 376.75
80	4mtrs	40 KGS	8.8 M	€ 7.68 /KG € 307.20
100	4mtrs	53 KGS	8.8 M	€ 7.35 /KG € 389.55
125	2mtrs	38 KGS	4.4 M	€ 8.86 /KG € 336.68
TOTAL:		3994 KGS	940.8 M	€19,028.17
TOTAL:	TOTAL NET WEIGHT: 3994 KG		TOTAL GROSS WEIGHT: 4130 KG	
Cylinder Kits For Pneumatic Cylinders				
ADVU Kit				
ADVU 20 front head	150pcs	4 KGS	150 PCS	€ 1.10 /PCS € 165.00
ADVU 20 rare,head	180pcs	5 KGS	180 PCS	€ 0.91 /PCS € 163.80

2/9

DESCRIPTIONS			QUANTITY		UNIT PRICE		AMOUNT
ADVU 25 front head	150pcs	5	KGS	150	PCS	€ 1.26 /PCS	€ 189.00
ADVU 25 rare head	150pcs	5	KGS	150	PCS	€ 1.08 /PCS	€ 162.00
ADVU 40 front head	100pcs	8	KGS	100	PCS	€ 1.68 /PCS	€ 168.00
ADVU 40 rare head	125pcs	9	KGS	125	PCS	€ 1.58 /PCS	€ 197.50
ADVU 50 front head	150pcs	15	KGS	150	PCS	€ 1.88 /PCS	€ 282.00
ADVU 50 rare head	200pcs	20	KGS	200	PCS	€ 1.65 /PCS	€ 330.00
ADN Kit							
12	30pcs	2	KGS	31	PCS	€ 2.44 /PCS	€ 75.64
16	30pcs	2	KGS	30	PCS	€ 2.59 /PCS	€ 77.70
20	30pcs	2	KGS	30	PCS	€ 3.03 /PCS	€ 90.90
25	30pcs	3	KGS	30	PCS	€ 3.47 /PCS	€ 104.10
32	50pcs	6	KGS	32	PCS	€ 4.77 /PCS	€ 152.64
32	50pcs	9	KGS	56	PCS	€ 4.77 /PCS	€ 267.12
32	50pcs	2	KGS	12	PCS	€ 4.77 /PCS	€ 57.24
40	50pcs	17	KGS	70	PCS	€ 5.00 /PCS	€ 350.00
40	50pcs	7	KGS	30	PCS	€ 5.00 /PCS	€ 150.00
50	50pcs	17	KGS	56	PCS	€ 6.18 /PCS	€ 346.08
50	50pcs	14	KGS	44	PCS	€ 6.18 /PCS	€ 271.92
63	50pcs	12	KGS	20	PCS	€ 8.03 /PCS	€ 160.60
63	50pcs	18	KGS	30	PCS	€ 8.03 /PCS	€ 240.90
80	40pcs	31	KGS	32	PCS	€ 11.00 /PCS	€ 352.00
80	40pcs	8	KGS	8	PCS	€ 11.00 /PCS	€ 88.00
100	30pcs	25	KGS	16	PCS	€ 12.74 /PCS	€ 203.84
100	30pcs	15	KGS	10	PCS	€ 12.74 /PCS	€ 127.40
100	30pcs	6	KGS	4	PCS	€ 12.74 /PCS	€ 50.96
125	10pcs	26	KGS	10	PCS	€ 24.00 /PCS	€ 240.00
TOTAL:		290	KGS	1756	PCS		€ 5,064.34
TOTAL:		TOTAL NET WEIGHT: 290KG		TOTAL GROSS WEIGHT: 342.31 KG			
Shipping Freight							€ 2,300.23
Final Total:		4283.8	KGS	2696.8	M		€26392.74

Fob:
 Freight Cost:
 Total Cost:
 Total Net Weight: 4283.8 KGS , Total Gross Weight: 4472.31 KGS
 Standard:
 Term Of Delivery: CFR Bandar Abbas
 Part Shipment: Allowed
 Country Of Original: China

温州盈控进出口有限公司
 WENZHOU WINCO IMP&EXP CO., LTD